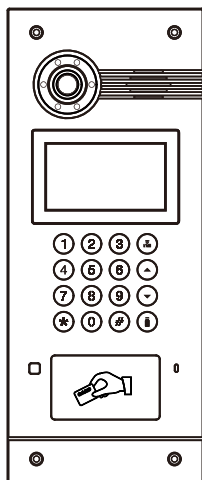


# Installation and Operation manual

## For TCP/IP With 902 System

Model:

D-A1  
D-A7  
D-A8  
D-A9  
D-G  
D-B3  
D-B4  
D-B5  
D-X5  
D-X6  
D-X7  
D-E7  
D-B9



The picture is only a schematic diagram.  
The actual product shall prevail.

## Outdoor Panel

## ■ Remark

*Please follow the user manual for correct installation and testing. If there is any doubt please call our tech-supporting and customer center.*

*Our company applies ourselves to reformation and innovation of our products. No extra notice for any change. The illustration shown here is only for reference. If there is any difference, please take the actual product as the standard.*

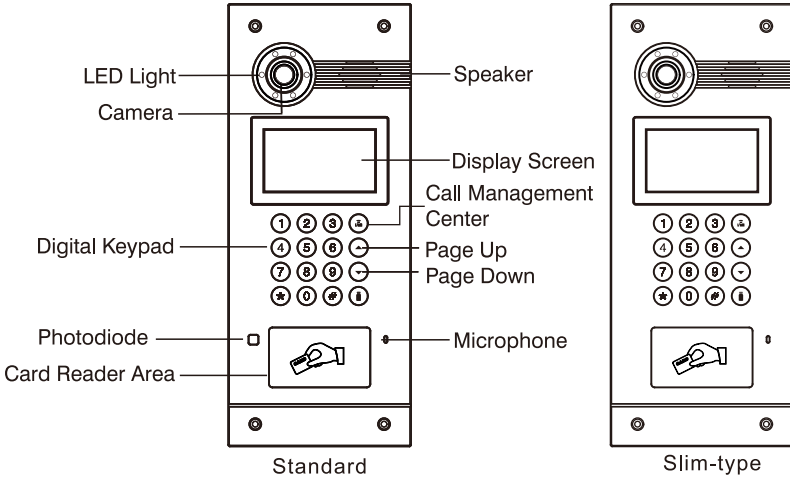
*The product and batteries must be handled separately from household waste. When the product reaches the end of service life and needs to be discarded, please contact the local administrative department and put it in the designated collection points in order to avoid the damage to the environment and human health caused by any disposal. We encourage recycling and reusing the material resources.*

# CATALOG

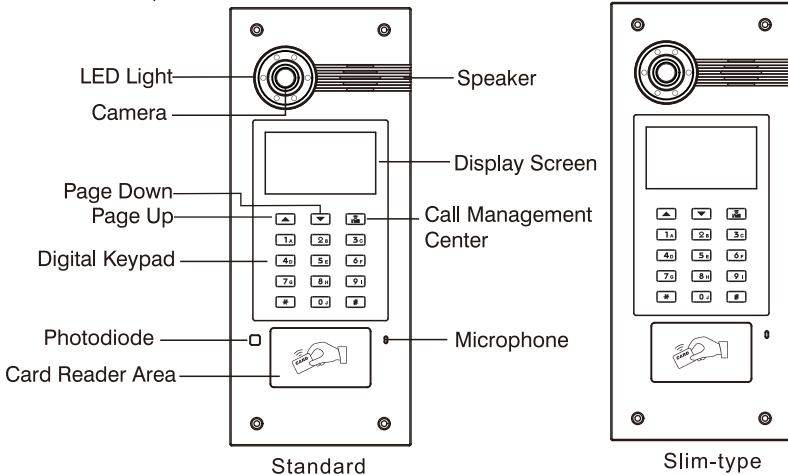
<b>Pictures</b> .....	<b>1</b>
<b>Basic Function</b> .....	<b>10</b>
<b>Technical Parameters</b> .....	<b>10</b>
<b>Product Standard</b> .....	<b>11</b>
<b>Package Contents</b> .....	<b>11</b>
<b>Basic Operation</b> .....	<b>13</b>
<b>Basic Settings</b> .....	<b>16</b>
<b>Web Settings</b> .....	<b>23</b>
<b>System Configuration</b> .....	<b>28</b>
<b>System Diagram</b> .....	<b>29</b>
<b>Installation</b> .....	<b>32</b>
<b>Troubleshooting</b> .....	<b>39</b>
<b>Safety Precaution</b> .....	<b>40</b>

# Pictures

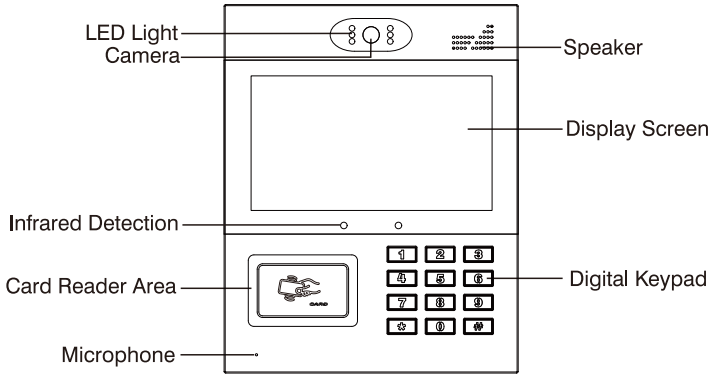
Model: D-A9(Mechanical Button)



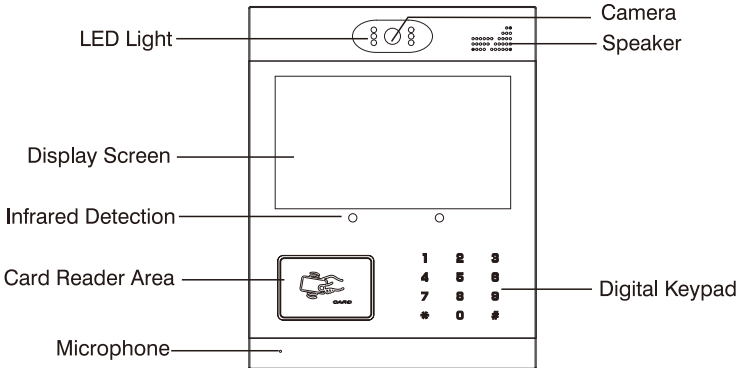
Model: D-A9(Touch Button)



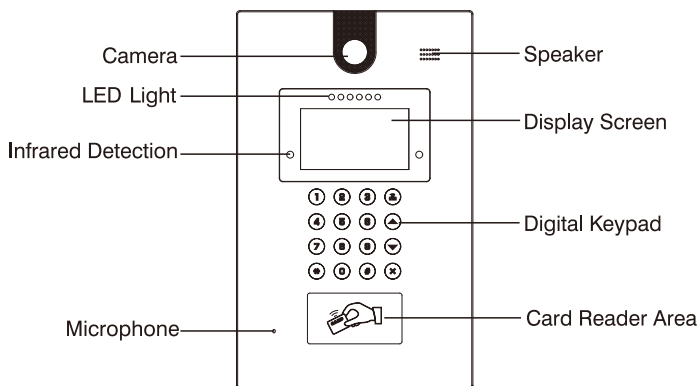
Model: D-G(Mechanical Button)



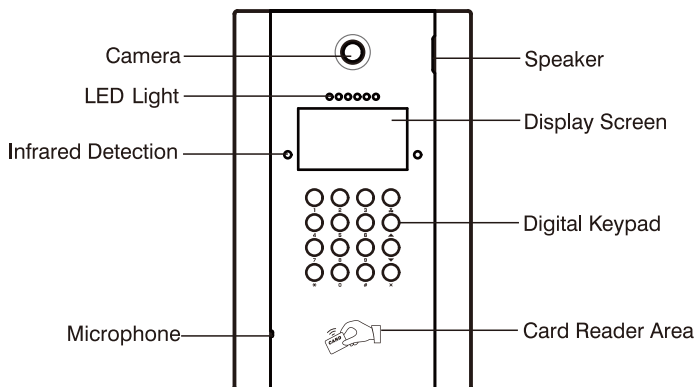
Model: D-G(Touch Button)



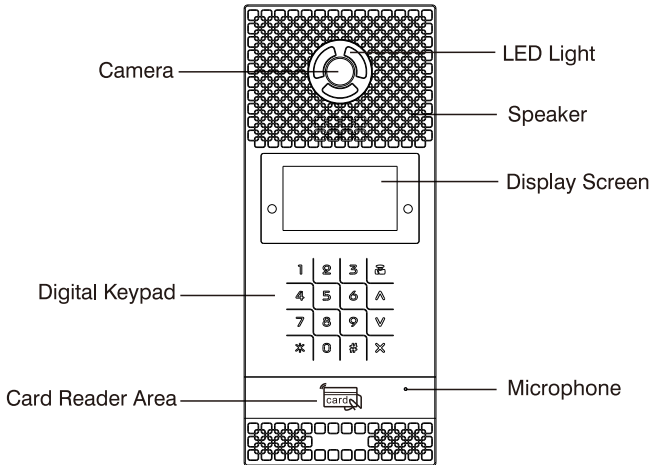
Model: D-A7



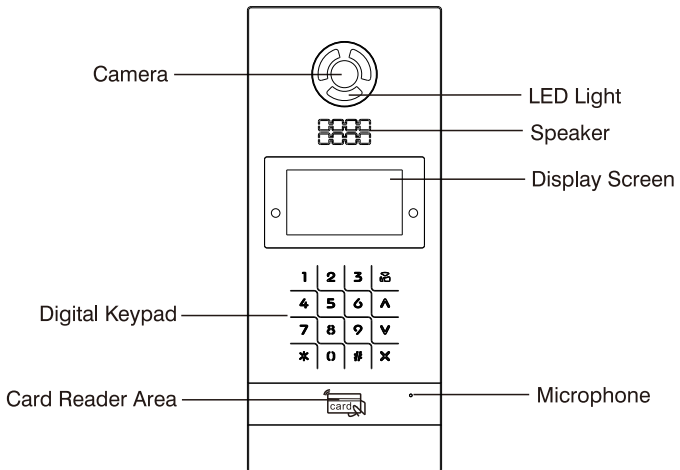
Model: D-A8



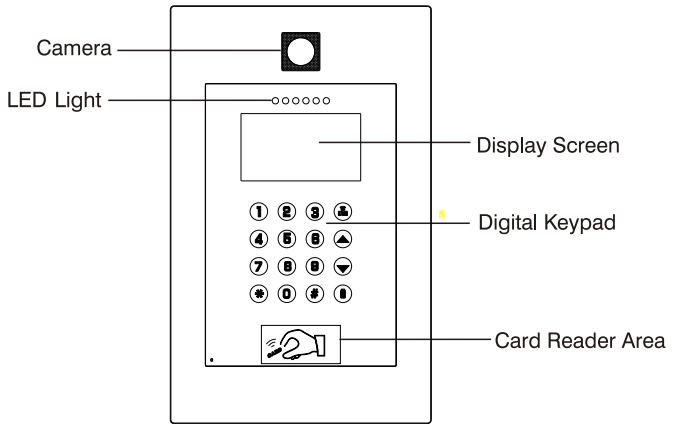
Model: D-B3



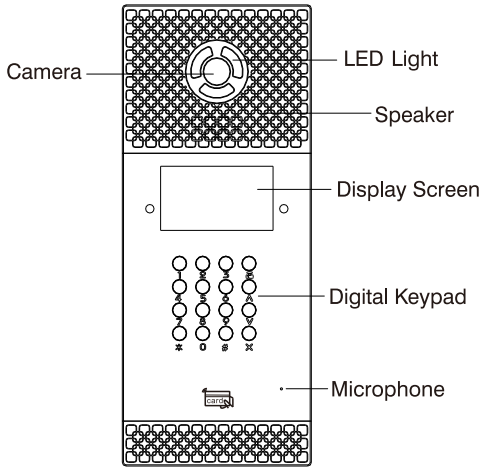
Model: D-B3(Button Backlight)



Model: D-X5

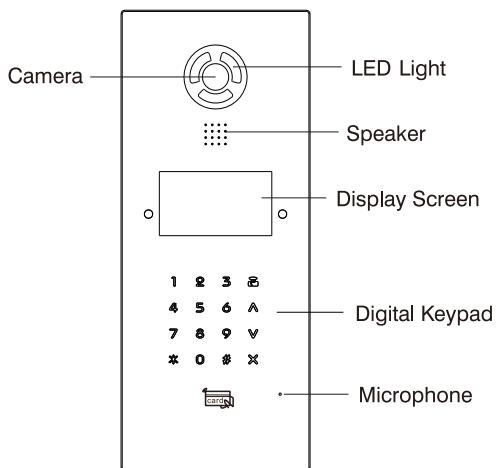


Model: D-B4

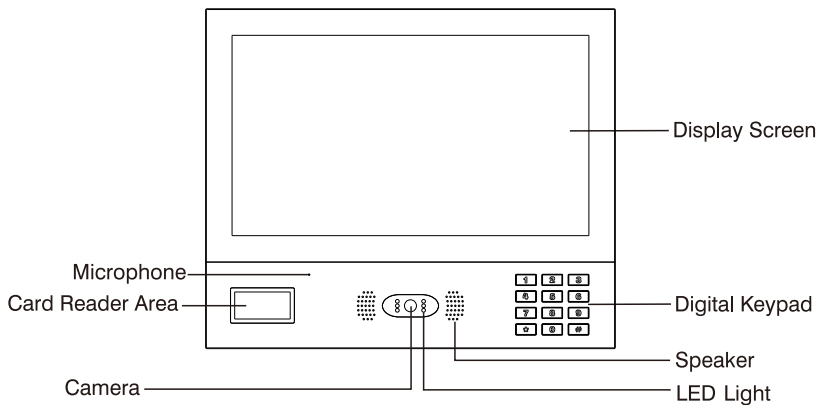




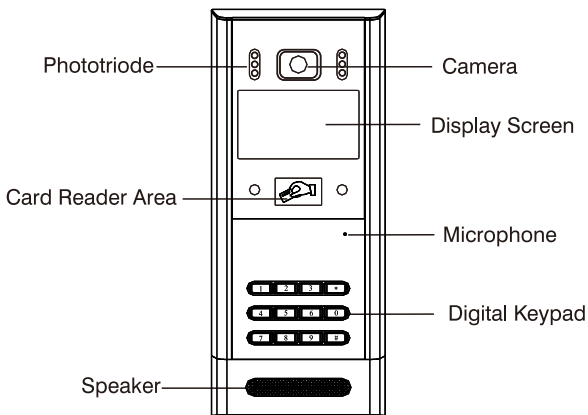
Model: D-B5



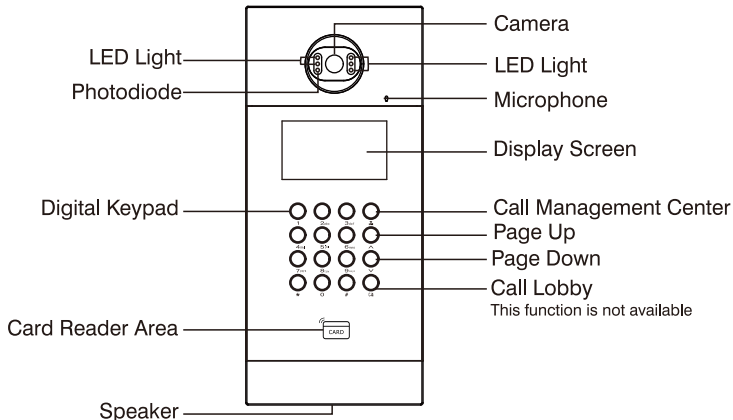
Model: D-E7



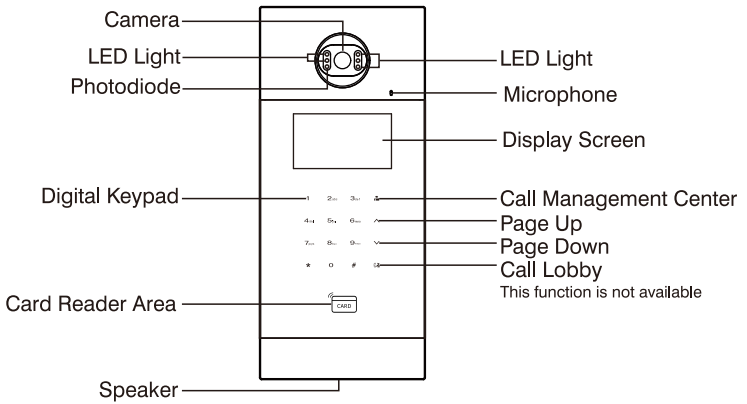
Model: D-A1



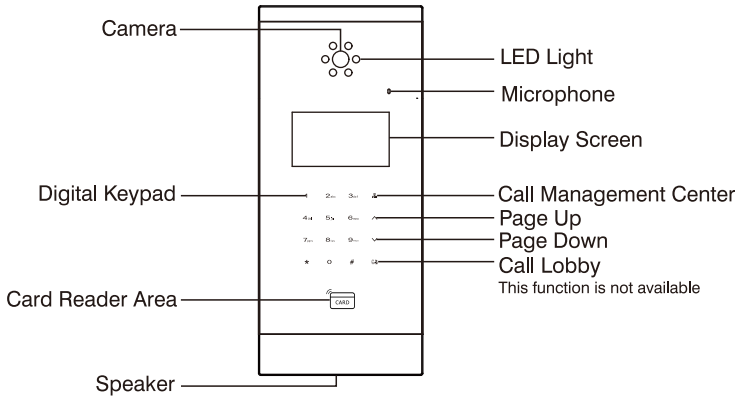
Model: D-X6 (Mechanical Button)



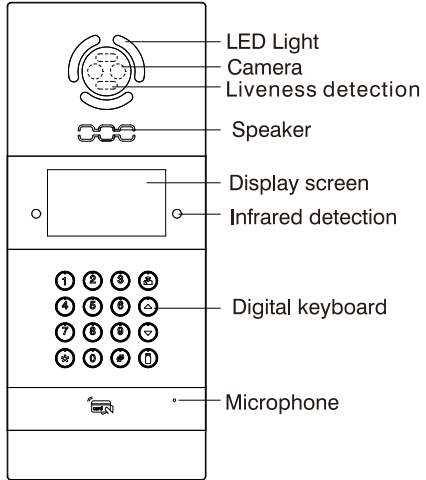
Model: D-X6 (Touch Button)



Model: D-X7



Model: D-B9



## Basic Function

1. Video intercom with indoor monitor and management center
2. Support unlocking by access password, IC/ID card(ID card is optional)or facial recognition;
3. It can register IC/ID card information on the outdoor panel and store up to 100,000 IC/ID cards(ID card is optional);
4. Support Exit button unlocking and door magnetic detection;
5. Infrared detection function(A1, A7, A8, B3, B4, B5, G, X5, B9, A9);

## Technical Parameters

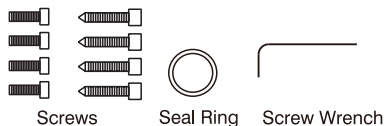
1. Working voltage:DC12V
2. Rated power:10W(A7/A8/A9/X5/B3/B4/B5/A1/X6/X7/B9)  
12W(A7/A8/A9/X5/B3/B4/B5/A1/X6/X7/B9)(Heating membrane)  
13W(D-G)  
19W(D-G)(Heating membrane)  
25W(E7)
3. Standby power: 3W(A7/A8/A9/G/X5/B3/B4/B5/E7/A1/X6/X7/B9)  
5W(A7/A8/A9/X5/B3/B4/B5/A1/X6/X7/B9)(Heating membrane)  
9W(D-G)(Heating membrane)
4. Display screen: 4.3" (480RGB\*272)  
10.1"(1024RGB\*600)  
21.5"(1920RGB\*1080)
5. Working temperature:  $-10^{\circ}\text{C}\sim+70^{\circ}\text{C}$   
 $-40^{\circ}\text{C}\sim+70^{\circ}\text{C}$ (Heating membrane)
6. Storage temperature:  $-10^{\circ}\text{C}\sim+70^{\circ}\text{C}$
7. Humidity: 20%~93%
8. CPU: Quad-core 1.3GHz
9. SDRAM: 512MB
10. Flash: 8GB
11. Camera: 1280\*720CMOS(A9/B3/B4/B5/B9/G optional)  
1920\*1080CMOS

## Product Standard

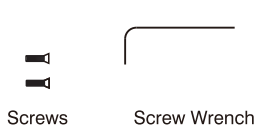
- ◇ GB/T 31070.1-2014 "Building Intercom Systems—Part 1: General Technical Requirements".
- ◇ GA 1210-2014 "Security Technical Requirements for Building Intercom Systems".
- ◇ GB /T12663-2019 "General Specifications for Burglar-alarm Control Units".
- ◇ GB /T 32581-2016 "Specifications for Intrusion and Hold-up Alarm System".
- ◇ GBT / 31070.2-2018 "Building Intercom System Part 2: Technical Requirements for Digital Building Intercom Systems".
- ◇ GBT / 31070.4-2018 "Building Intercom System Part 4: Application Guidelines".
- ◇ GB / T 37845-2019 "Technical Requirements for Home Security Intelligent Management Systems".
- ◇ DB31 / T294-2018 "Requirements of Intelligent Security Technology in Residential District".
- ◇ DB31T 1086-2018 "Requirements of Applications for Intrusion Alarm System".

## Package Contents

### Model: D-A9



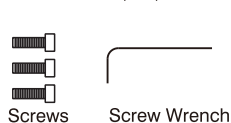
### Model: D-G



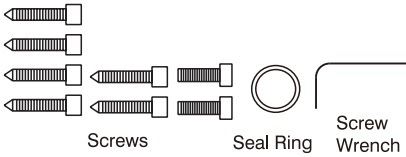
### Model: D-B3/B4/B5



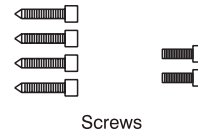
### Model: D-A7/A8/X5



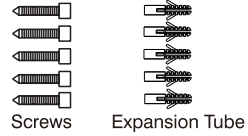
Model: D-X6/X7



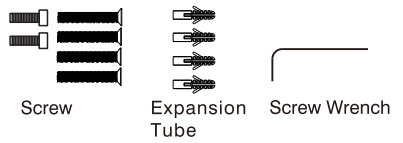
Model: D-A1



Model: D-E7



Model: D-B9



# Basic Operation

After the outdoor panel is powered on, if it is set as the unit panel, the LCD display is as shown in figure (1); if it is set as the wall panel, the LCD display is as shown in figure (2):

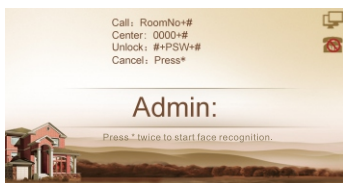


Figure (1)

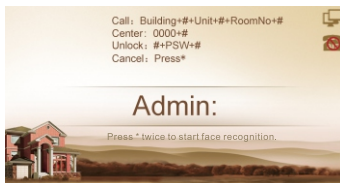


Figure (2)

## 1. Call management center by unit panel or wall panel

In a standby mode, inputting "0000"(4 digits) on unit panel, the LCD display is as shown in figure (3); inputting "0000"(4 digits) on wall panel, the LCD display is as shown in figure (4). Then press "#" to enter the call state.

Note: press "☎" to call management center directly. During ringing, press "\*" key to cancel the call.

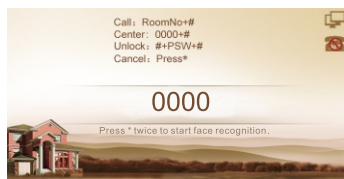


Figure (3)

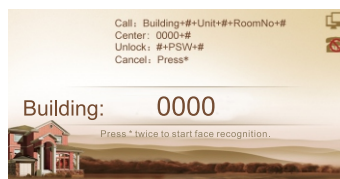


Figure (4)

## 2. Call indoor monitor

### 2.1 Call indoor monitor by unit panel

In a standby mode, enter 2-digit floor No. + 2-digit room No. of the indoor monitor. For example, the floor No. is 13, the room No. is 12. Enter "1312" directly, the LCD display is as shown in figure (5). Then press "#" key to start calling.



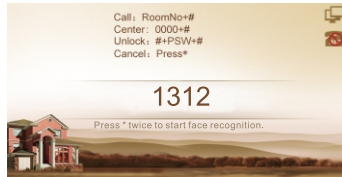


Figure (5)

## 2.2 Call indoor monitor by wall panel

In a standby mode, enter 3-digit building No. + # + 2-digit unit No. + # + 2-digit floor No. + # + 2-digit room No. of the indoor monitor. For example, the building No. is 0001, the unit No. is 01, the floor No. is 13, and the room No. is 12. Entering "1" + "#" + "1" + "#" + "1312" directly, the LCD display is as shown in figure (6), figure (7), figure (8). Then press "#" key to start calling.

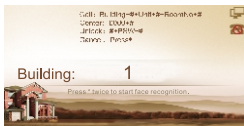


Figure (6)



Figure (7)

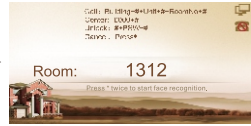


Figure (8)

## 3. Unlock the door

### 3.1. Unlocking by access password

In the interface shown in figure (1) or figure (2), pressing "#" key and entering the access password(default is 0000), the unit panel is as shown in Figure (9), and the wall panel is as shown in Figure (10), then press "#" key to confirm. If the password is correct, the door will be unlocked; if not, it will make a sound like "Deng Deng".

Note: please refer to 3.3 Password in Basic Settings for password modification.

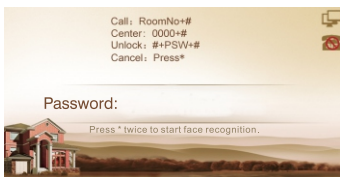


Figure (9)

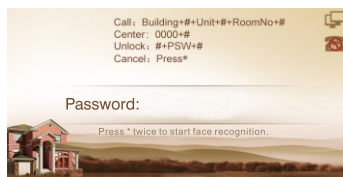


Figure (10)

### 3.2. Unlocking by IC/ID card (ID card is optional)

Put the registered IC/ID card on card reader area of the outdoor panel. If successful, the door will be unlocked.

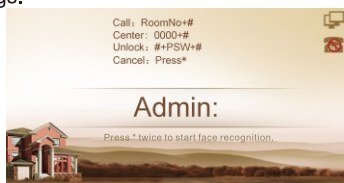
### 3.3. Unlocking by Face Recognition

When someone puts face close to the LCD screen, outdoor panel will automatically start the face recognition or the user can press the “\*” key twice to enable the face recognition. If the face has been registered, the door will be unlocked.

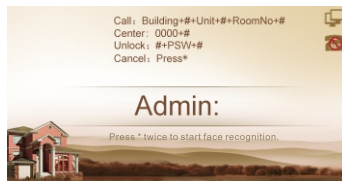
# Basic Settings

In the interface shown in figure (1) or figure (2), pressing the "#" key twice, LCD display of unit panel is as shown in figure(11), LCD display of wall panel is as shown in figure(12). Enter six-digit admin password(default password: 123456) and go to settings.

Press the number key "2" or ▲ icon to page up, press the number key "8" or ▼ icon to page down; press "#" key to confirm; press "\*" key to return. After selecting the item to be set, press the "#" key to enter the settings or press the "\*" key to cancel the settings.



Figure(11)



Figure(12)

Outdoor panel enters the setting interface, and the LCD display is as shown in figure (13):

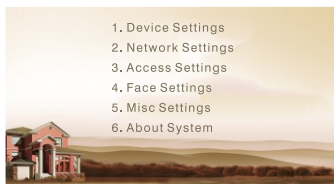


Figure (13)

## 1. Device Settings

Select "Device Settings" and press the "#" key to enter the device settings submenu, the LCD display is as shown in figure (14):

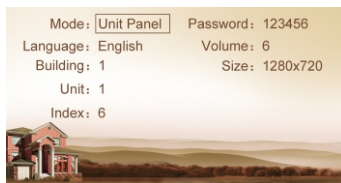


Figure (14)

## 1.1 Device Mode

The device can be used as unit panel or wall panel. The device mode can be set through this item.

Press the key “#” to go to settings. The LCD screen will display as shown in Figure (15) . Press the number key 2 or the icon ▲ to page up, and press the number key 8 or the icon ▼ to page down. If the device is used as unit panel, it can only call the indoor monitors in this unit. If the device is used as wall panel, it can call all the indoor monitors in the whole community.

Once it's selected, press the pound key “#” to confirm. When the outdoor panel gives an indication tone, it means that it is changed successfully. Press “\*” to cancel the settings.

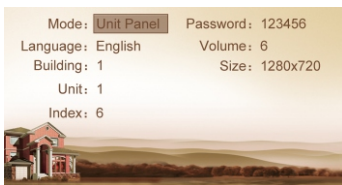


Figure (15)

## 1.2 Language, Volume and Size

The language, volume and size (resolution) are set in the same way as the settings of device mode.

"Language" is used to set the language to be shown on the outdoor panel, supporting simplified Chinese, English and traditional Chinese.

"Volume" is used to set the prompt tone of outdoor panel, including 1-6 volume levels selection.

There is 320x240, 640x480 or 1280x720 for the size.

## 1.3 Building No., Unit No., Index and Password

Select the item for setting ⇨ Press the pound key “#” to go to settings ⇨ Input the number to change ⇨ Press the pound key “#” to confirm ⇨ When the outdoor panel gives an indication tone, it means that it is changed successfully (Press the star key “\*” to cancel the settings).

*Note: Please keep the admin password confidential. If the password is forgotten, the user will not be able to log into the system. The password can only be recovered by resetting to factory defaults.*

## 2. Network Settings

Select “Network Settings” and press the pound key “#” to access the submenu. The LCD screen will show as follows:

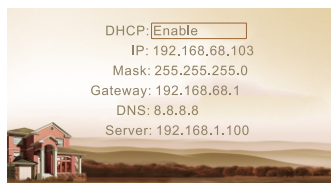


Figure (16)

### 2.1 DHCP

Select this item and press the pound key “#” for setting. The LCD screen will show as follows. The user can enable or disable the function.

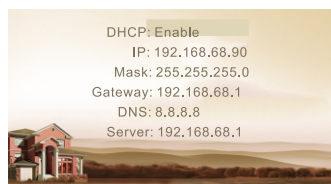


Figure (17)

### 2.2 IP

The default IP address of the system is 192.168.68.90. The LCD screen will display as shown above. As for the devices which are connected on the same LAN (the same subnet of network segment), their IP addresses cannot be the same.

### 2.3 Mask

The system default is 255.255.255.0. The LCD screen will display as shown above.

### 2.4 Default Gateway

It refers to the gateway address for network segment of device's IP address. The system default is 192.168.68.1. The LCD screen will display as shown above.

## 2.5 DNS

The system default is 8.8.8.8. The LCD screen will display as shown above.

## 2.6 Server

The server address refers to the IP address of computer with management software. In case that management software isn't required for managing the intercom devices, this setting is invalid. The default IP address of server is 192.168.68.1. The LCD screen will display as shown above.

## 3. Access Settings

Select "Access Settings" and press the pound key "#" to access the submenu. The LCD screen will show as follows:

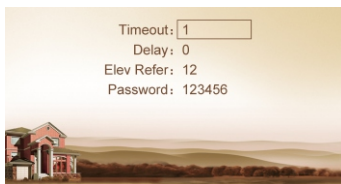


Figure (18)

### 3.1 Timeout

The item is used for controlling the unlocking time, namely, how long it will take the door to shut automatically after unlocking.

Select the item and press the pound key "#" to go to settings. The LCD screen will show as follows. Input any number from 1 to 9. If the user enters the number 8, it means the unlocking time is set at 8 seconds. Press the pound key "#" to confirm after inputting.

When the outdoor panel gives an indication tone, it means that the time is changed successfully.

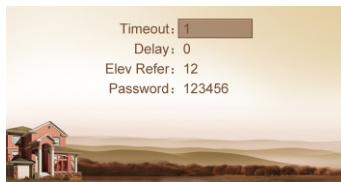


Figure (19)

### 3.2 Delay

The item is used for setting the delayed opening time, meaning how long it will delay unlocking the door after the user presses the unlock button on the indoor monitor.

Select the item and press the pound key “#” to go to settings. The LCD screen will display as shown above. Input any number from 1 to 9. If the user enters the number 5, it means the delayed opening time is set at 5 seconds.

Press the pound key “#” to confirm after inputting. When the outdoor panel gives an indication tone, it means that the time is changed successfully.

### 3.3 Password

The item is used for setting the password to unlock the door. Enter the passwords and then press the pound key “#” to confirm. The LCD screen will display as shown above.

### 3.4 Elev Refer (This item can only be used after connection to elevator control devices)

The item is used for setting the floor of outdoor panel.

Select the item and press the pound key “#” to go to settings. The LCD screen will display as shown above. Set the floor No. of outdoor panel ranging from 01 to 99. After the door is unlocked, the elevator will reach the floor of outdoor panel.

Press the pound key “#” to confirm after inputting. When the outdoor panel gives an indication tone, it means that it is changed successfully.

## 4. Face Settings

Select “Face Settings” and press the pound key “#” to access the submenu. The LCD screen will show as follows:

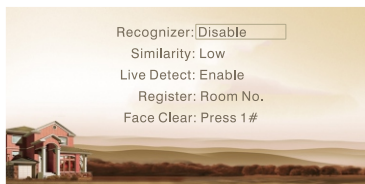


Figure (20)

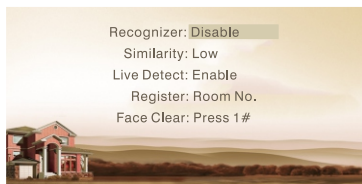


Figure (21)

The item “Recognizer” is used for setting the state of recognizer function. “Disable” means the function has been closed. Select the item and press the pound key “#” to go to settings. The LCD screen will display as shown above.

The item “Similarity” is used for setting the face similarity. There are 3 levels to choose. Select the item and press the pound key “#” to go to settings.

The item “Live Detect” means that you can move when being recognized. Select the item and press the pound key “#” to go to settings.

The item “Register” is used for recording the new face. Enter the room number and then register the face on the system of outdoor panel. When the system gives a prompt tone, it means the registration is completed.

The item “Face Clear” is used for clearing the registered information. Enter 1 and then press the pound key “#” to confirm.

## 5. Misc Settings

Select “Misc Settings” and press the pound key “#” to access the submenu. The LCD screen will show as follows:

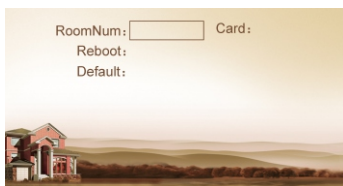


Figure (22)



Figure (23)

The item “RoomNum” is used for registering the access card corresponding to the room number. Select the item and press the pound key “#” to go to Settings. The LCD screen will display as shown above.

Enter the room number and then place the access card close to the swiping area. When the outdoor panel gives an indication tone, it means that the card has been registered successfully. Then the No. of registered card will be displayed.

The item “Reboot” is used for restarting the outdoor panel. Enter the number “1” and then press the pound key “#” to confirm. The system will restart automatically. Entering any number other than “1” is invalid.

The item “Default” is used for resetting to system default. Enter the number “1” and then press the pound key “#” to confirm. The system will be reset. Entering any number other than “1” is invalid.



## 6. About System

Select "About System" and press the pound key "#" to access the submenu. The LCD screen will show as follows:



Figure (24)

# Web Settings

Connect outdoor panel and PC to the network switch and make them on the same LAN. Input IP address of outdoor panel in the web browser of PC, then input the user name and password(the default name is admin, the password is 123456) to enter into the following interface:



## 1. Network Settings:

Click "Network" icon on the interface to enter into the following interface:



IP: IP address should be unique in the same Network.

Mask: the default Mask is 255.255.255.0.

Gateway: it depends on IP address.

DNS: it depends on Network.

Server IP: it is the same as the IP address of management PC.

NTP: it refers to network time protocol.

Usually, the communication among management center, indoor monitor and outdoor panel will be available on the same LAN; if they are not on the same Network, you need to set SIP server to support the communication.

Click "Submit" icon to confirm settings.

## 2. Device Settings:

Click “Device” icon on the interface to enter into the following interface:

The screenshot shows the 'Device Settings' page. The left sidebar contains a menu with the following items: Main, Network, Device, Access, VPOP, Forward, Advanced, Wireless, and Logout. The main content area is titled 'Device Settings' and contains the following fields and options:

- BuildNo:
- UnitNo:
- No:
- Sys password:
- Panel mode:
- Language:
- Volume:
- Video:
- Forward:

A 'Submit' button is located at the bottom of the form.

The settings of building and Unit No. should be the same as that of corresponding outdoor panel.

No.: It is unique number for the outdoor panel. You can have max.9 outdoor panels in one house, and you need to distinguish their numbers from 1 to 9.

Sys password: you can change the login password as you like (the default password is 123456).

Panel mode: unit panel, wall panel or personal panel for selection.

① Unit panel: Used in one unit, it can call residents in the unit and management center;

② Wall panel: Used at the entrance of community, it can call all indoor monitors in the community and management center;

③ Personal panel: It is reserved.

You can choose different ringtone and language, and can also adjust the ringing volume.

Click “Submit” icon to confirm settings.

## 3. Access Settings:

Click “Access” icon on the interface to enter into the following interface:

The screenshot shows the 'Access Settings' page. The left sidebar contains a menu with the following items: Main, Network, Device, Access, VPOP, Forward, Advanced, Wireless, and Logout. The main content area is titled 'Access Settings' and contains the following fields and options:

- Unlock Timeout:
- Unlock Delay:
- ERM code:
- Admin Card:
- Security ON/OFF:
- Clock Password:

A 'Submit' button is located at the bottom of the form.

Unlock Timeout is used for controlling the unlocking time ranging from 1 to 9 seconds.

Unlock Delay refers to the delayed opening time ranging from 0 to 9 seconds.

Elev refer is used for setting the floor of outdoor panel ranging from 01 to 99.

Security ON/OFF: arming/disarming by card is only effective for secondary outdoor panel; unit panel only supports disarming by card.

Unlock Passwd: it's used for unlocking the door. The system default is 0000. Eight unlocking passwords can be added.(This is only applicable for outdoor panel with keypad.)

### Card Registration:

The Admin Card is used for registering user card. There are two ways of registering the admin card:

1. The user enters card No. of the admin card in the box after “Admin Card” and then click the key “Submit”. In this case, the admin card is registered successfully.

2. If the user isn't aware of admin card No., please enter 0 in the box first and click the key “Submit”. Then place the admin card close to the swiping area. When the system gives an indication tone, it means that the card is registered successfully.

When registering the user card, the user shall swipe the admin card first. The system emits a beep. Then place the card to be registered near the swiping area within 10 seconds. If the system gives an indication tone, it means that the user card is registered successfully. When registering the user card, the card to be registered shall be swiped 10 seconds after the admin card is swiped. Once an user card is registered, it will postpone for 10 seconds. When there is no activity for 10 seconds, the system will exit from registration status automatically. To register a new user card, the user shall swipe the admin card again.

### 4. VOIP:

Click “VOIP” icon on the interface to enter into the following interface:



SIP enable: when SIP account No. is enabled, the SIP server of a third party is generally used.

Proxy: URL of SIP proxy server in format: sip:ip or sip: domain name.

Realm: realm of the device, generally the same as IP or domain name.

STUN IP and Port refer to the IP and port of public server for NAT traversal of audio and video.

Bitrate: 128K, 384K, 512K, 768K, 1M or 2M

User: user name assigned by SIP server

Password: password assigned by SIP server

Timeout: 120 seconds, 300 seconds, 600 seconds, 1200 seconds or 1800 seconds.

Ringling: ringing time of indoor monitor which is called by outdoor panel can be set. The time can be set at 35 seconds, 45 seconds, 60 seconds, 90 seconds or 120 seconds.

Once this is set up, click the key “Submit” to enable new settings.

## 5. Forward (Call transfer):

Click “Forward” icon on the interface to enter into the following interface:

Room No.	Account	Room No.	Account	Room No.	Account

Room No. can be bound with phone number. When the visitor calls on the outdoor panel but there is no answer within 25 seconds, the system will forward the call to the phone. Please follow the detailed steps:

1. Enter the room No. and then enter the account phone number to be bound;
2. To delete this account, check the box;
3. Once this is set up, click the key “Submit” to enable new settings.

(Note: This item requires support of extension module or local SIP service provider).

## 6. Advanced

Click “Advanced” icon on the interface to enter into the following interface:



The screenshot shows the 'Advanced Settings' page. On the left is a green navigation menu with options: Home, Network, Device, Access, VOSIP, Forward, Advanced, Wireless, and Logout. The main content area is titled 'Advanced Settings' and contains several configuration fields:

- Advertising:** A checkbox is checked. The URL field contains 'http://192.168.41.42:8010/ad/ad@storefun.com/store-0'.
- Timeout(msec):** A dropdown menu is set to '10'.
- Quick Call:** A checkbox is checked. The SIP address field contains 'sip:100@192.168.12.100'.
- Voice GW:** A checkbox is checked. The SIP address field contains 'sip:100@192.168.12.100'.
- Speed Dial:** A checkbox is checked.
- ONC Pass:** A checkbox is checked.
- RTSP Proxy:** A dropdown menu is set to 'Disable'.

A 'Submit' button is located at the bottom of the form.

**Advertising:** check the box to enable this function. Enter the specified advertisement URL in the box. The interface will play the online advertisement automatically.

**Quick Call:** check the box to enable this function. It refers to the call to management center. Enter the SIP address of specified management center. The call can be from indoor monitor or SIP internet phone of other manufacturers.

**Speed Dial:** press one number key to give a direct call.

Once this is set up, click the key “Submit” to enable new settings.

## 7. Logout

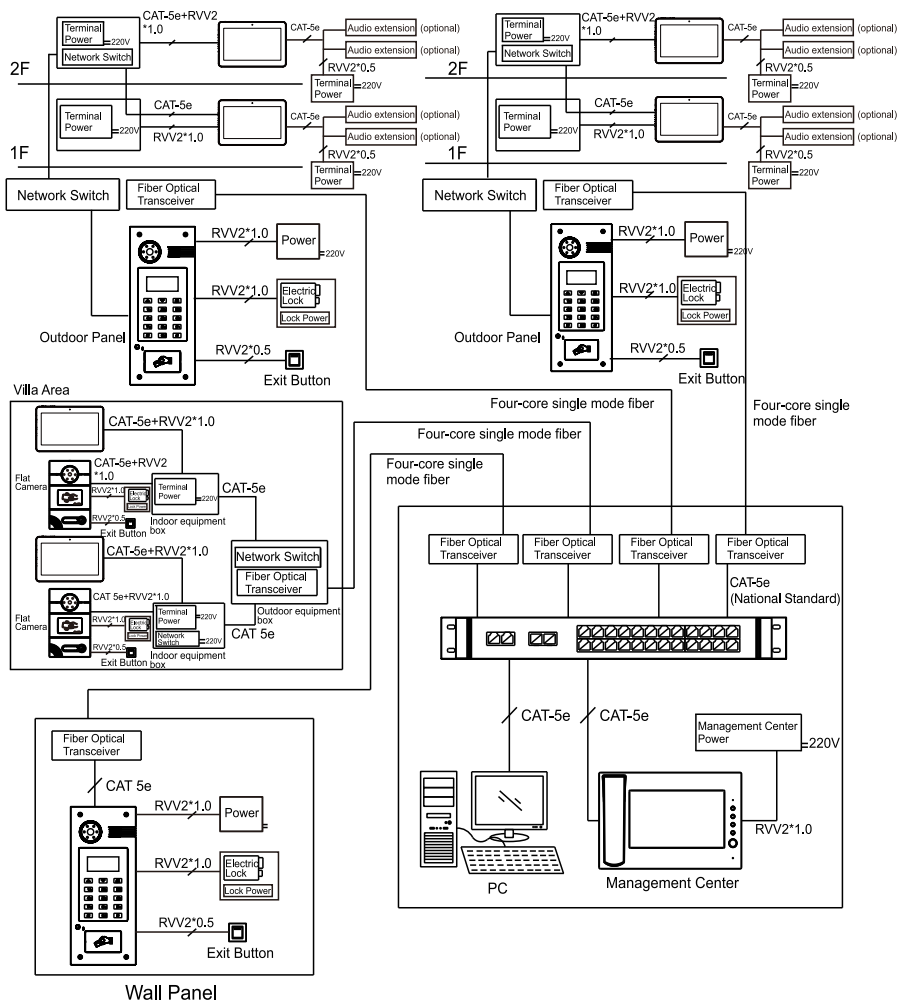
Click “Logout” icon on the interface to enter into the following interface:



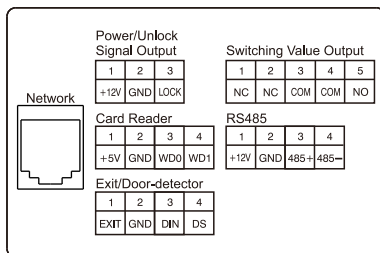
The screenshot shows the 'User Logout' page. On the left is the same green navigation menu as in the previous screenshot. The main content area is titled 'User Logout' and contains the text 'Please click [Submit] to logout user!'. A 'Submit' button is located below the text.

Click “Submit” icon to log out the system.

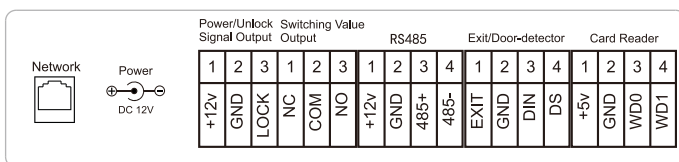
# System Configuration



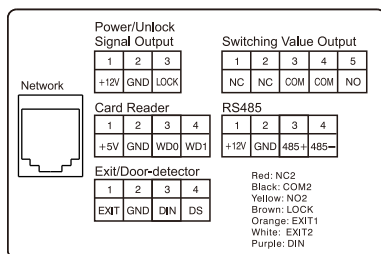
# System Diagram



(Standard)



(E7)

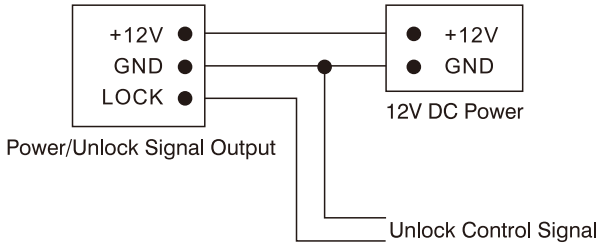


(D-A9 Built-in Dual-relay Unlock Module)



## 1. Power/ Unlock Signal Output

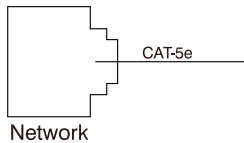
Power interface of outdoor panel connects with 12V DC power. Unlock signal input connects with unlock module.



E7 Power Interface

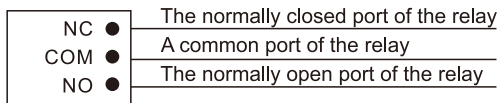
## 2. Network

Standard RJ45 interface connects with management center, indoor monitor or other network equipment by network switch.



## 3. Switching Value Output

Connect to the lock module (independent power supply is necessary for the lock).



Switching Value Output

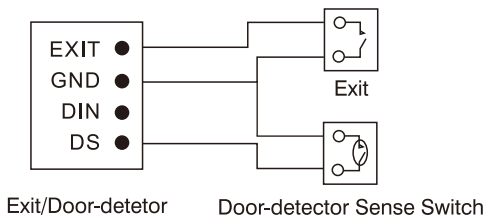
## 4. RS485

Enable to connect equipment with RS485 interface. RS485 interface can output 12V/100mA power. +12V isn't required for wiring if it is unused.



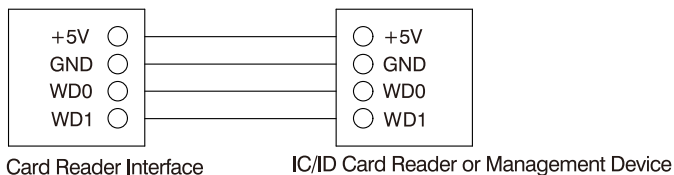
## 5. Exit/ Door-detector

Connect with exit /door-detector; DIN is reserved terminal, please don't connect it.



## 6. Card Reader Interface

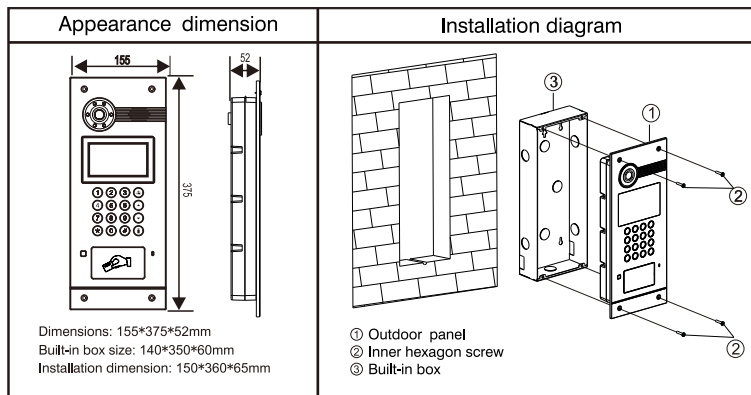
The interface can be connected to one IC/ID card reader or be used for reading the information of built-in card reader. It can output the power 5V/100mA. When the card reader doesn't need the power from the interface, connection of +5V isn't required.



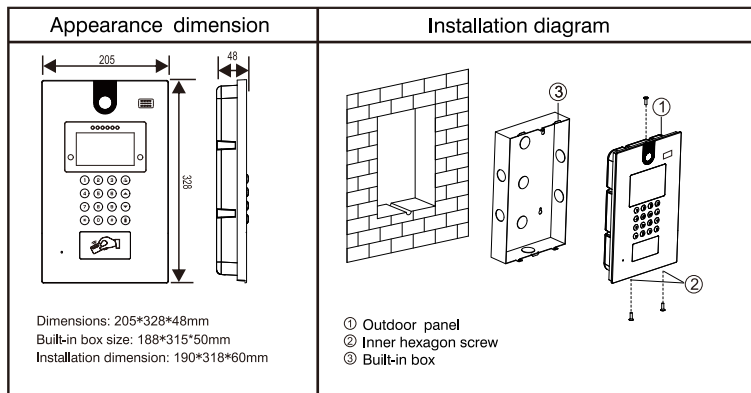
Note: Only one card reader can be connected to outdoor panel. When there is built-in card reader, the interface can only be used for reading the information of built-in card reader.

# Installation

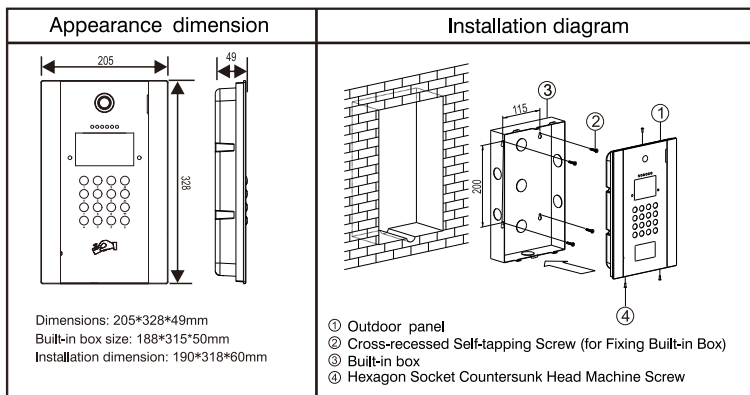
Model:D-A9



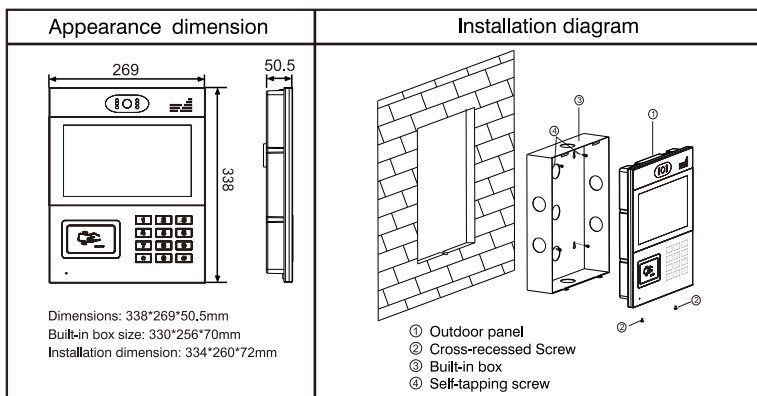
Model: D-A7



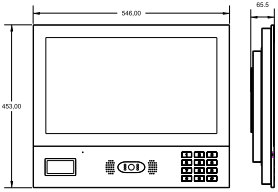
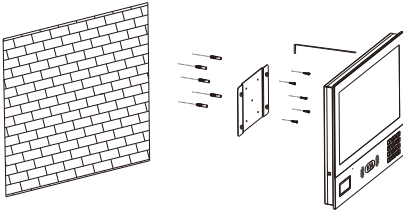
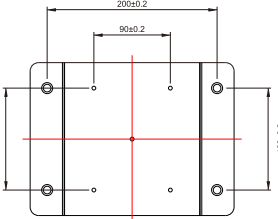
## Model: A8



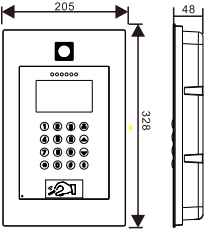
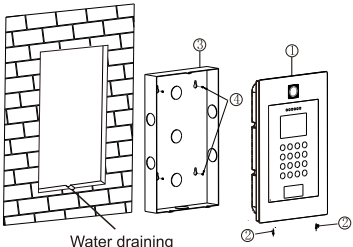
## Model:D-G



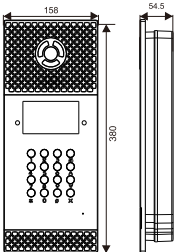
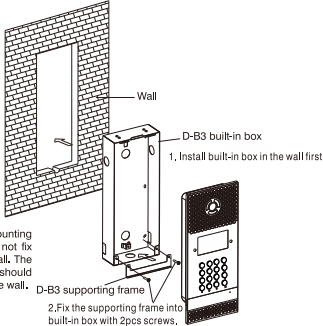
Model:D-E7

Appearance dimension	Installation diagram
 <p>Dimensions: 546*453*65.5mm</p>	
	<p>Installation method:</p> <ol style="list-style-type: none"> <li>1. Choose a suitable location and fix the bracket with 5 screws to the top, bottom, left, right and middle sides on the wall;</li> <li>2. Assemble outdoor panel into the bracket.</li> </ol>

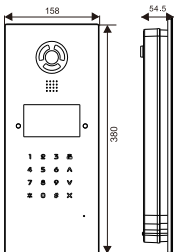
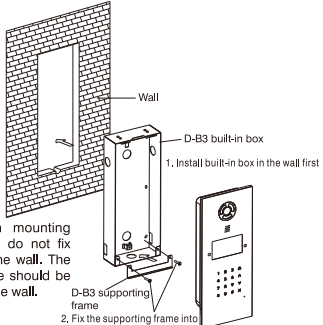
Model: D-X5 (4.3-inch display)

Appearance dimension	Installation diagram
 <p>Dimensions: 205*328*48mm          Built-in box size: 188*315*50mm          Installation size: 190*318*60mm</p>	 <p>① Outdoor panel          ② Inner hexagon screw          ③ Built-in box          ④ Self-tapping screw</p>

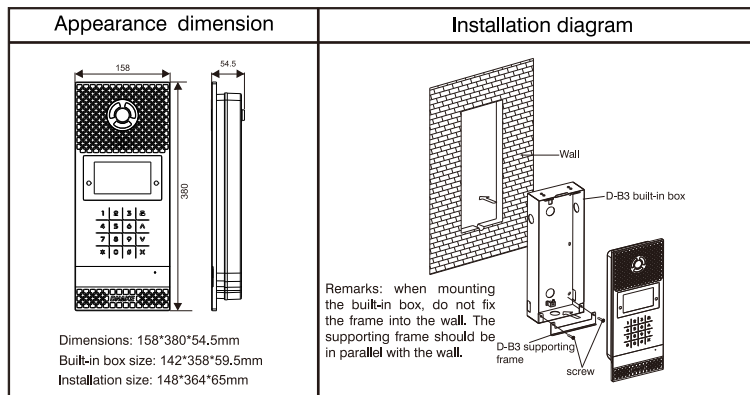
## Model: D-B4

Appearance dimension	Installation diagram
 <p>Dimensions: 158*380*54.5mm Built-in box size: 142*358*59.5mm Installation size: 148*364*65mm</p>	 <p>Wall</p> <p>D-B3 built-in box</p> <p>1. Install built-in box in the wall first</p> <p>Remarks: when mounting the built-in box, do not fix the frame into the wall. The supporting frame should be in parallel with the wall.</p> <p>D-B3 supporting frame</p> <p>2. Fix the supporting frame into built-in box with 2pcs screws.</p>

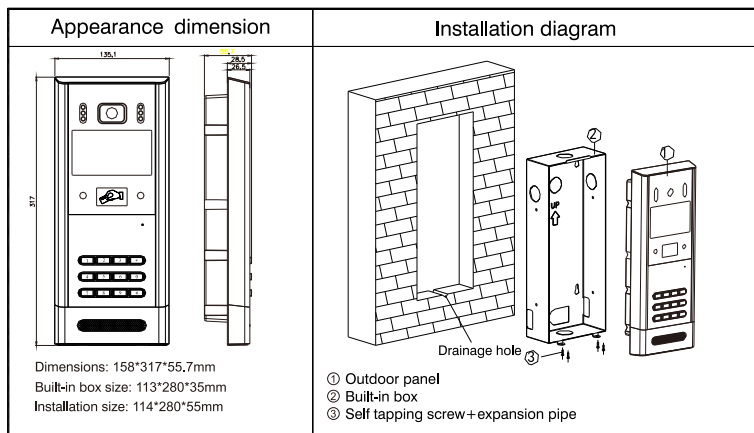
## Model:D-B5

Appearance dimension	Installation diagram
 <p>Dimensions: 158*380*54.5mm Built-in box size: 142*358*59.5mm Installation size: 148*364*65mm</p>	 <p>Wall</p> <p>D-B3 built-in box</p> <p>1. Install built-in box in the wall first</p> <p>Remarks: when mounting the built-in box, do not fix the frame into the wall. The supporting frame should be in parallel with the wall.</p> <p>D-B3 supporting frame</p> <p>2. Fix the supporting frame into built-in box with 2pcs screws.</p>

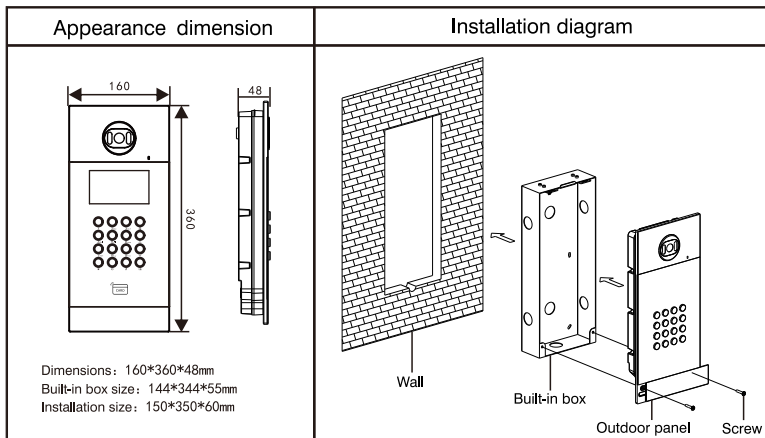
## Model: D-B3



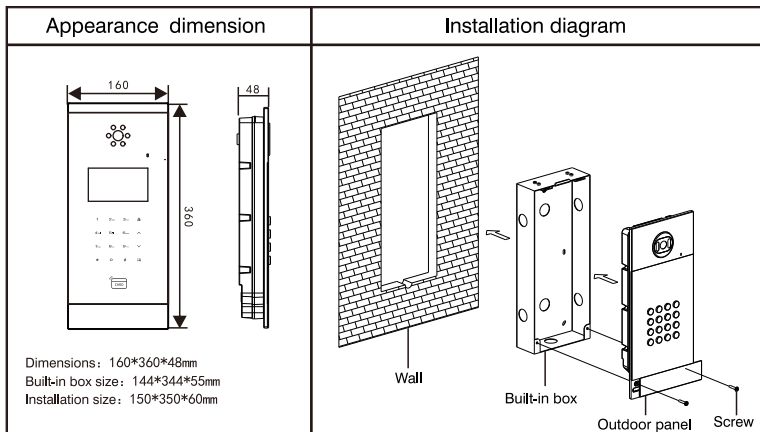
## Model: D-A1



Model: D-X6

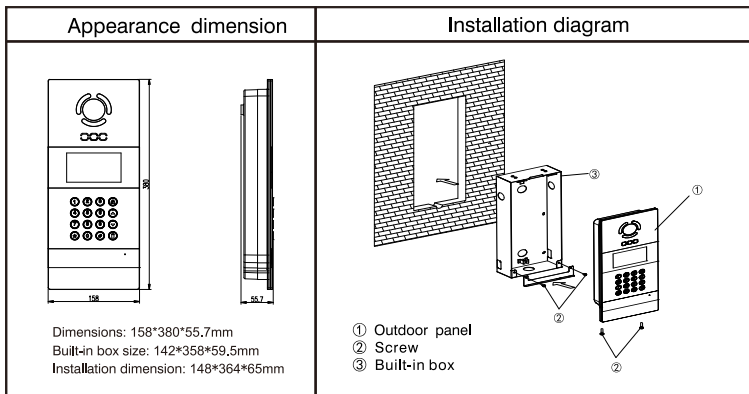


Model: D-X7





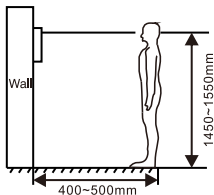
Model: D-B9



### Installation method:

1. According to the installation dimension of outdoor panel, dig a square groove at the appropriate position in the wall or door, and dig a hole (drainage hole) at the bottom;
2. Get the hole through at the bottom of the built-in box to facilitate drainage. Upward arrow is on the front of the built-in box. Embed the built-in box into the groove of the wall, and tighten four screws from top to bottom of the built-in box, or fix the built-in box in the wall with concrete;
3. Assemble the outdoor panel into the built-in box, align the groove and the built-in box, tighten the screws, and finally inject the glass glue into the top, left and right sides of the outdoor panel (note: the glass glue cannot be injected into the bottom part that is reserved for the drainage hole at the bottom of outdoor panel).

### Installation Instructions:



[Suggestion]: During the installation, the camera should be 1450~1550mm above the ground. The camera tether for photographing human face should be the top priority.

## Troubleshooting

Some common failures and troubleshooting methods are listed for your reference. In case of failure which cannot be repaired, do not disassemble or repair the product by yourself. Please contact the after-sales service department.

### **When unit panel or wall panel fails to call indoor monitor:**

- When setting outdoor panel, please make sure building No. and unit No. of outdoor panel are the same as the ones of indoor monitor;
  - Please check whether the network is connected;
  - Please check if there are any security settings for the network, such as VLAN configuration;
- 

### **When unit panel, wall panel or indoor monitor fails to call management center :**

- Please check whether the network is connected;
- Please check if there are any security settings for the network, such as VLAN configuration;

## Safety Precaution

In order to protect you and others from harm or your device from damage, please read the following information before using the device.

Do not install the device in the following places:

- Do not install the device in high-temperature and moist environment or the area close to magnetic field, such as the electric generator, transformer or magnet.
- Do not place the device near the heating products such as electric heater or the fluid container.
- Do not place the device in the sunshine or near the heat source. This might cause discoloration or deformation of the device.
- Do not install the device in an unstable position to avoid the property losses or personal injury caused by the falling of device.

Guard against electric shock, fire and explosion

- Do not use damaged power cord, plug or loose outlet.
- Do not touch the power cord with wet hands or unplug the power cord by pulling.
- Do not bend or damage the power cord.
- Do not touch the device with wet hands.
- Do not make the power supply slip or cause the impact.
- Do not use the power supply without the manufacturer's approval.
- Do not have the liquids such as water go into the device.

Clean Device Surface

- Clean the device surfaces with soft cloth dipped in some water, and then rub the surface with dry cloth.

Other Tips

- In order to prevent damage to the paint layer or the case, please do not expose the device to chemical products, such as the diluent, gasoline, alcohol, insect-resist agents, opacifying agent and insecticide.
- Do not knock on the device with hard objects.
- Do not press the screen surface. Overexertion might cause floppover or damage to the device.
- Please be careful when standing up from under the device.
- Do not disassemble, repair or modify the device at your own discretion. The arbitrary modification is not covered under warranty. When any repair required, please contact the customer service center.
- If there is abnormal sound, smell or fume in the device, please unplug the power cord immediately and contact the customer service center.
- When the device isn't used for a long time, the adaptor and memory card can be removed and placed in dry environment.
- When moving, please hand over the manual to new tenant for proper usage of the device.

